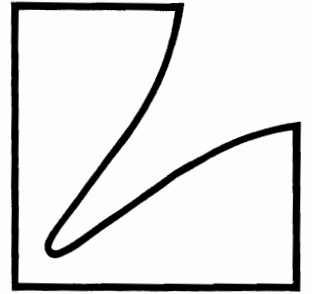


SERVICE MANUAL



Compact Disc Player

D-113



Contents

Specifications	2
Parts Locations and Disassembly Instructions	3 to 4
Adjustment Procedures	4 to 5
Adjustment Locations	6 to 7
Block Diagram	8
Parts Layout on P. C. Boards and Wiring Diagram (1/2) (UZ, UQ Model only)	9 to 11
Parts Layout on P. C. Boards and Wiring Diagram (2/2) (AD Model only)	12 to 14
Schematic Diagram	15 to 17
Electrical Parts List	18 to 21
Packing Assembly Parts List	22
Packing Method View	22
Cabinet Assembly Parts List	23
Exploded View (Cabinet)	24 to 25
Exploded View (CD Mechanism)	26 to 27
CD Mechanism Assembly Parts List	28
Semi-Conductor Lead Identifications	29 to 33

Specifications

CD SECTION

System	Optical (Compact Disc System)
Quantizing Bit Number	16 Bit Linear System
Channels	2 channel, Stereo
Pickup	Semiconductor Laser Pickup
Output Voltage	2V ± 1dB
Frequency Response	20Hz ~ 20kHz - 2dB
T.H.D (1kHz)	0.01%
S/N	85dB
Dynamic Range	83dB
Separation (1kHz)	75dB
Head Phone Output Voltage (1kHz, 20dB/80 ohm)	200mV ± 1dB
Power Supply	AC120/220/240V, 50Hz (AD Model Only) AC120V, 60Hz (UZ, UQ Model Only)
Power Consumption	12W
Semiconductors	14 IC's, 21 Transistors 26 Diodes, 1 Zener Diodes
Dimension (W × H × D)	438 × 85 × 314mm
Weight	4.3kg

COMPACT DISC

Track Pitch	1.6 μm
Modulation Frequency	44.1kHz
Transfer Rate	4.3218M bit/sec
Dimensions	120 × 1.2mm

NOTE : Due to continuing product improvement, specifications and designs are subject to change without notice.

UZ : For North American model only

UQ : For Canadian model only

AD : For West Germany model only

Others : Common

Parts Locations and Disassembly Instructions

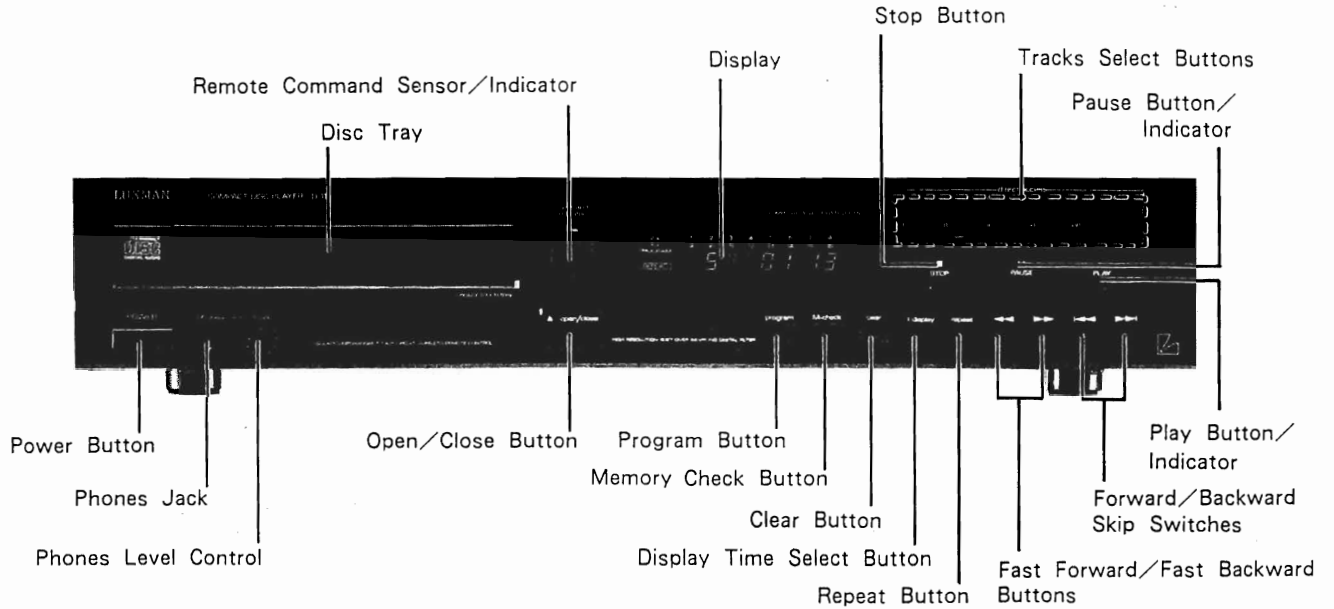


Figure 1

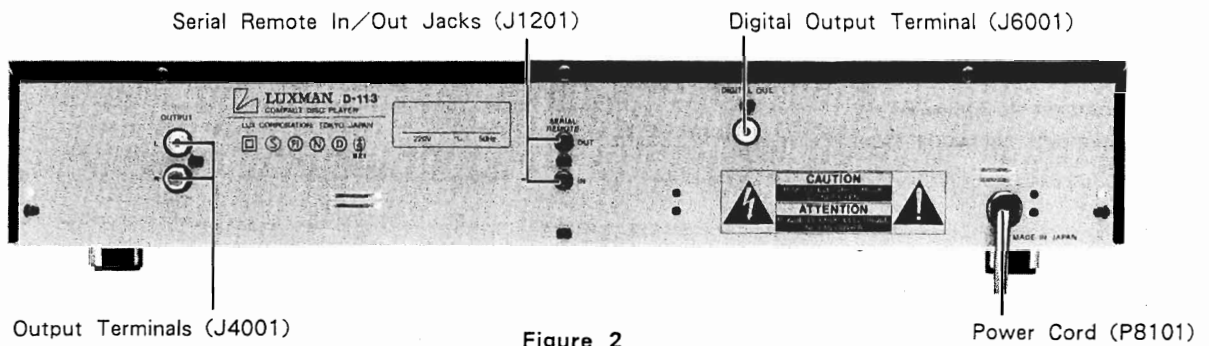


Figure 2

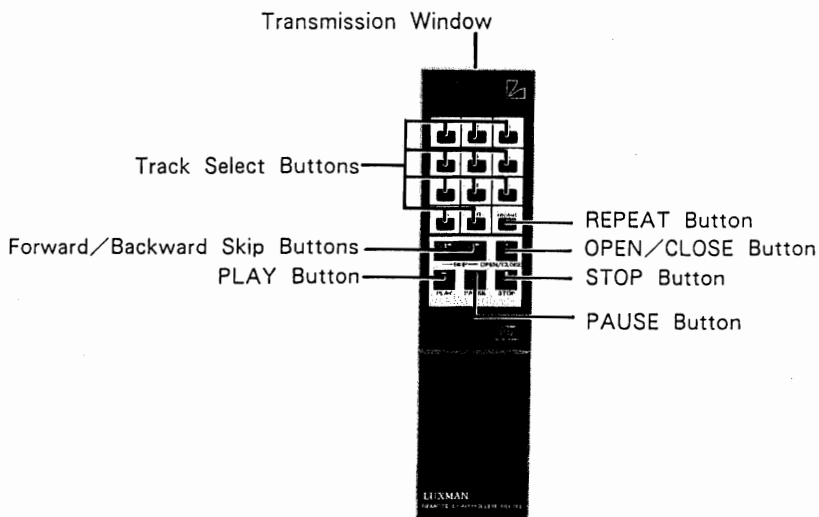
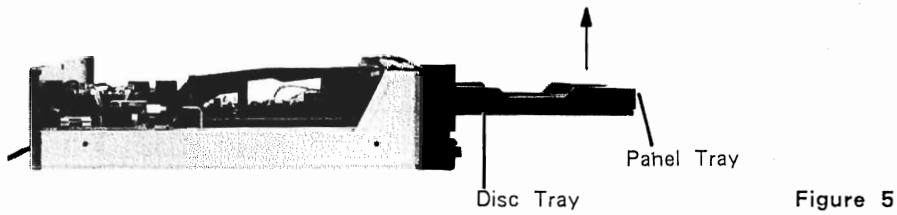
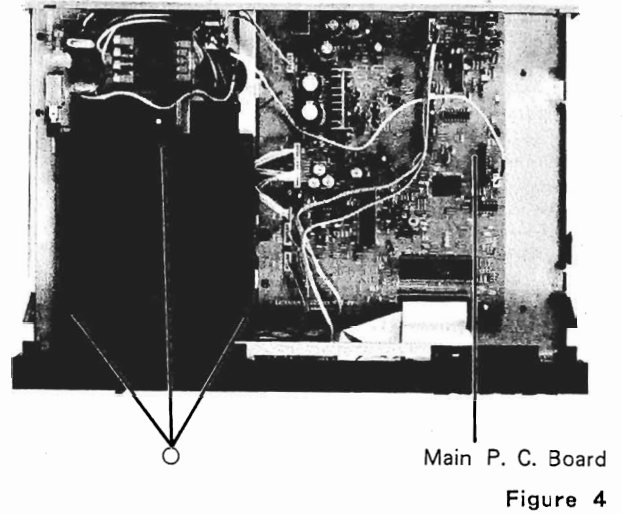


Figure 3

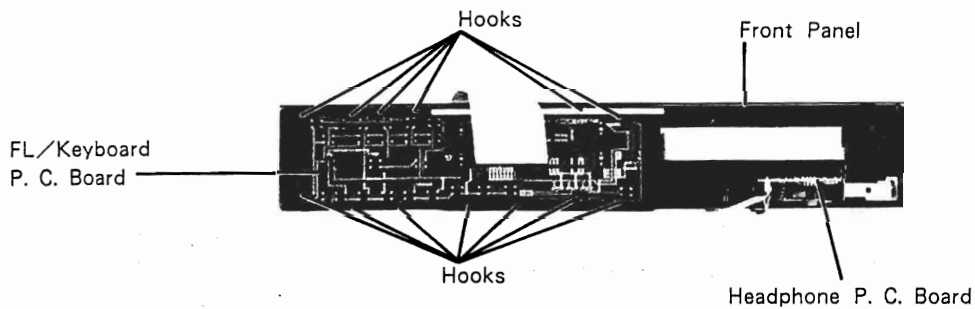
1. Removal of CD Mechanism

- (1) Open the disc tray.
- (2) Remove the panel tray in the arrow direction as shown in Figure 5.
- (3) Remove three screws marked "O" as shown in Figure 4.
- (4) Disconnect all wires from the CD Mechanism.



2. Removal of FL/Keyboard P. C. Board

- (1) After removal of front panel, remove thirteen hooks as shown in Figure 6.
- (2) Disconnect connector from the Main P. C. Board.

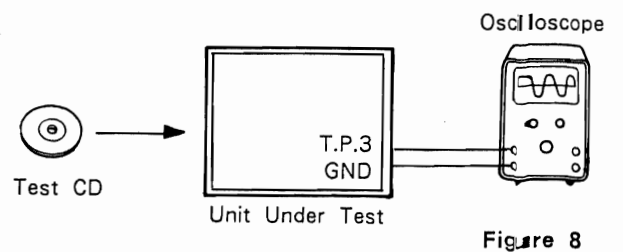
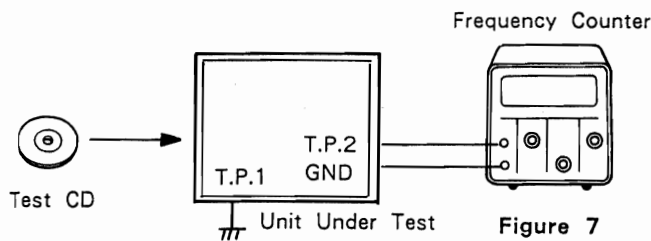


Adjustment Procedures

Figure 6

1. CD SECTION

- (1) Connections



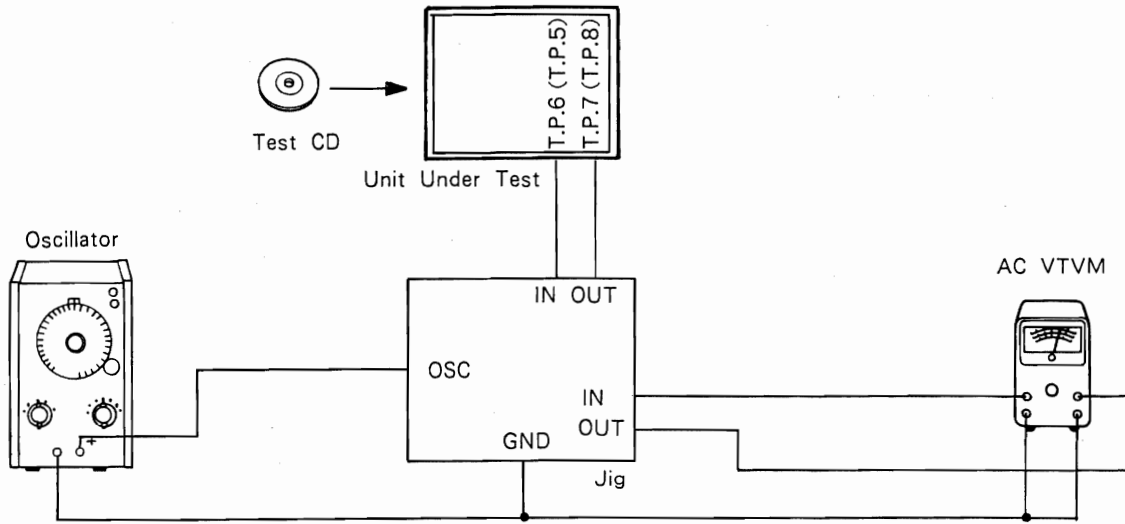
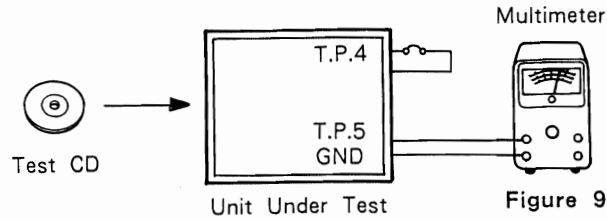


Figure 10

(2) Adjustment Procedures

Step	Description	Connection	Oscillator	Test Point	Adjustment
1	VCO Adjustment	Figure 7	-	T.P.1 T.P.2	Connect T.P.1 to ground and adjust VR1303 so that the frequency is $4.3218\text{MHz} \pm 10\text{kHz}$. (※ 1)
2	Focus Bias Adjustment	Figure 8	-	T.P.3	Adjust VR1202 for the oscilloscope waveform to show maximum.
3	Tracking Error Balance Adjustment	Figure 9	-	T.P.4 T.P.5	Shortcircuit T.P.4, turn VR1301 fully counter-clockwise and adjust VR1201 so that the voltage is $0 \pm 50\text{mV}$. After adjustment set VR1301 at approximately its center position.
4	Tracking Gain Adjustment	Figure 10	1kHz 200mV	T.P.6 T.P.7	Adjust VR1302 so that two arms of the valve voltmeter just meet each other.
5	Focus Gain Adjustment	Figure 10	1kHz 200mV	T.P.5 T.P.8	Adjust VR1301 so that two arms of the valve voltmeter just meet each other.

NOTE : ※ 1 For UZ and UQ model only.
For AD model, connect two 100k ohm resistors between +V_{DD} and ground of R1216 as shown in Figure 11.

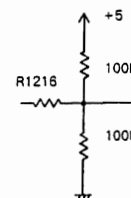
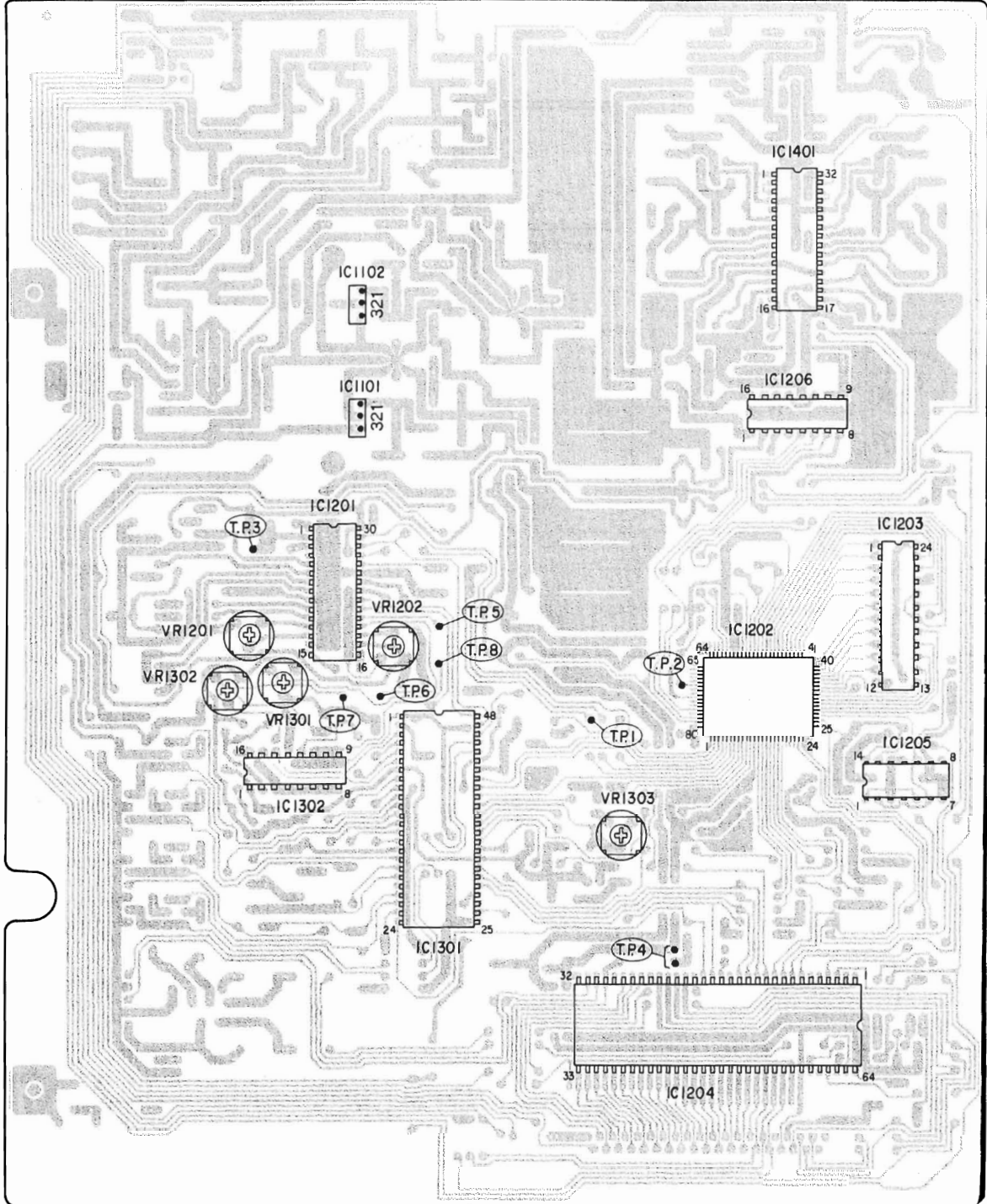


Figure 11

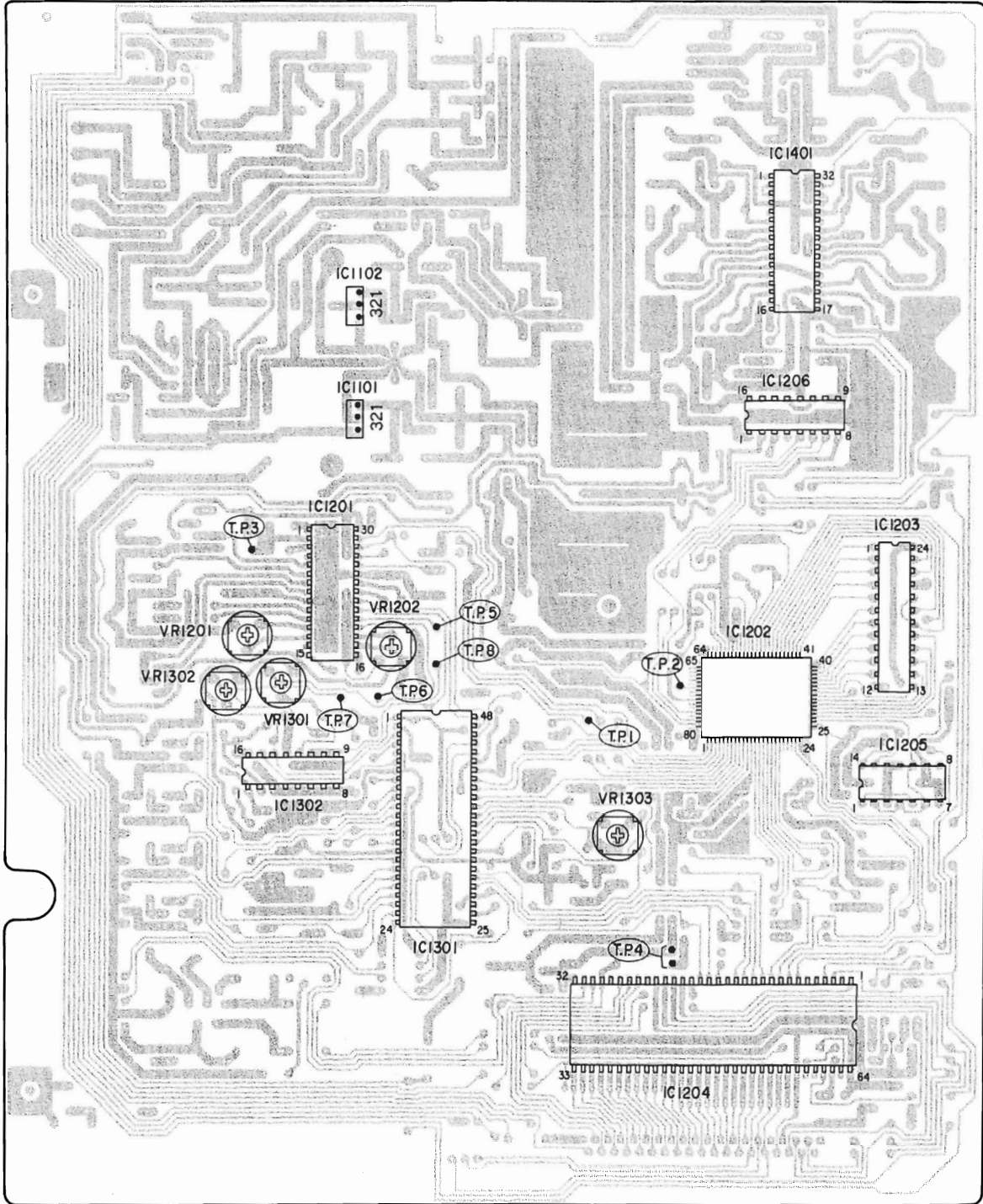
Adjustment Locations

MAIN P.C.Board



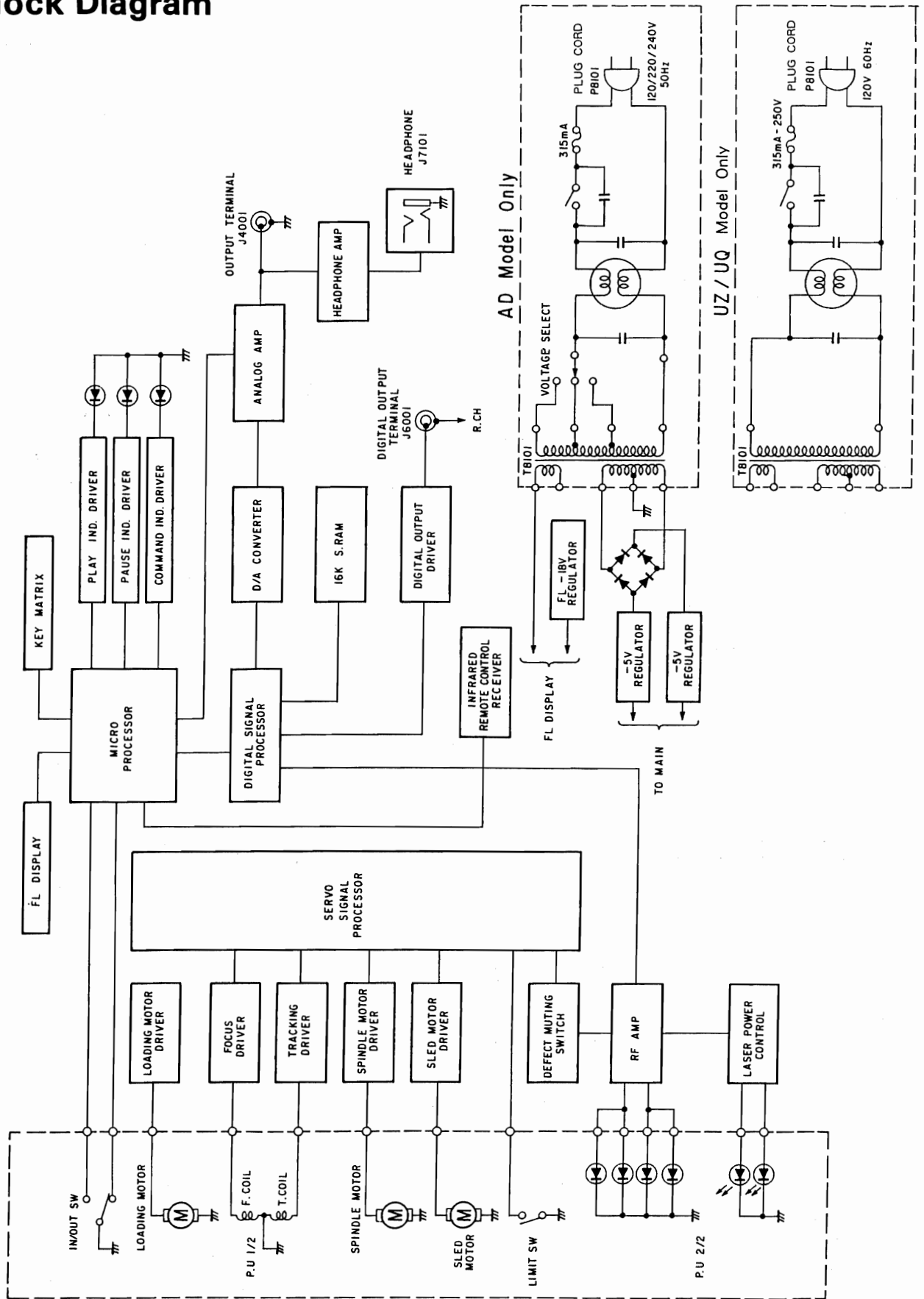
UQ and UZ model only

MAIN P.C.Board

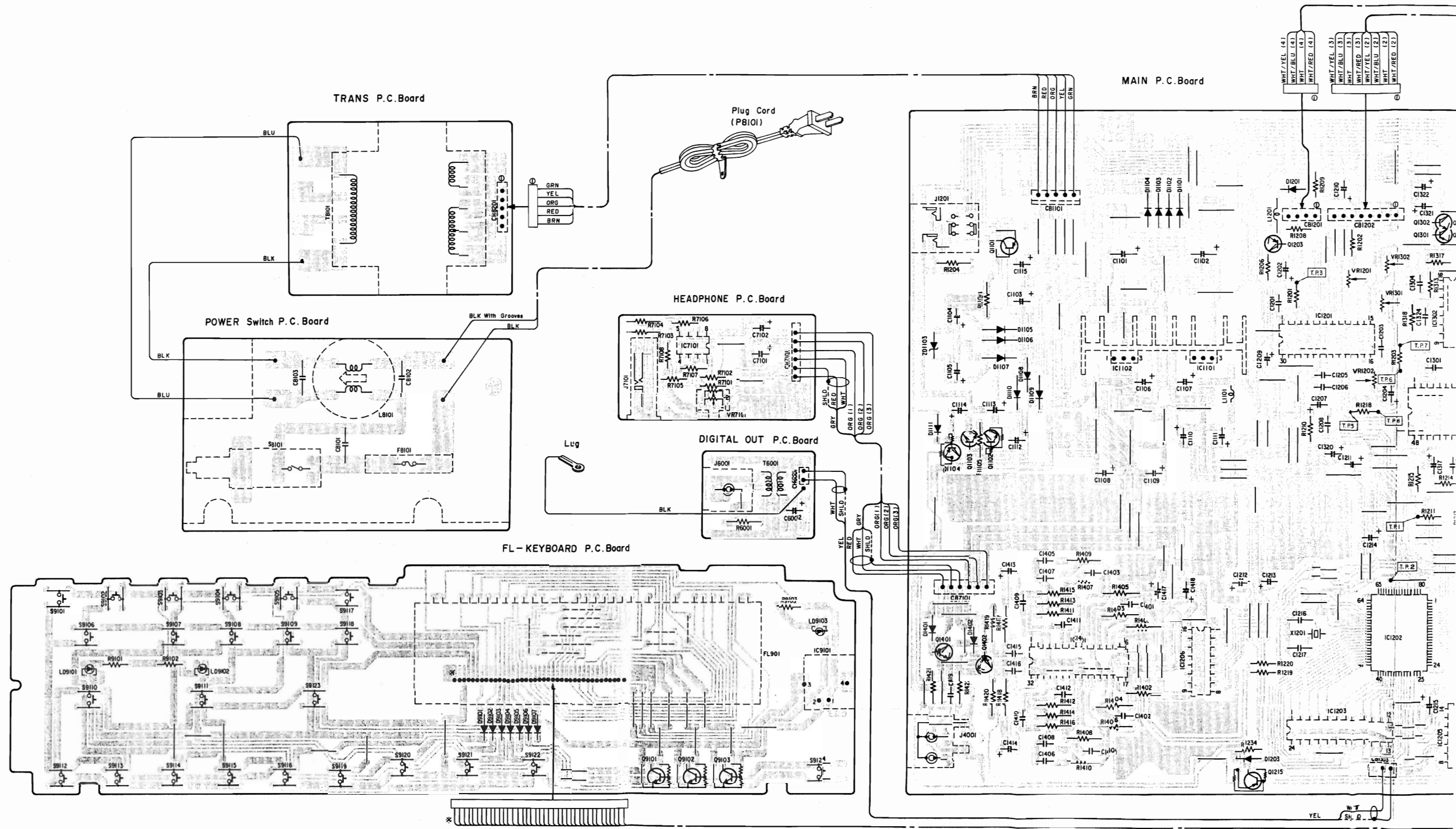


AD model only

Block Diagram

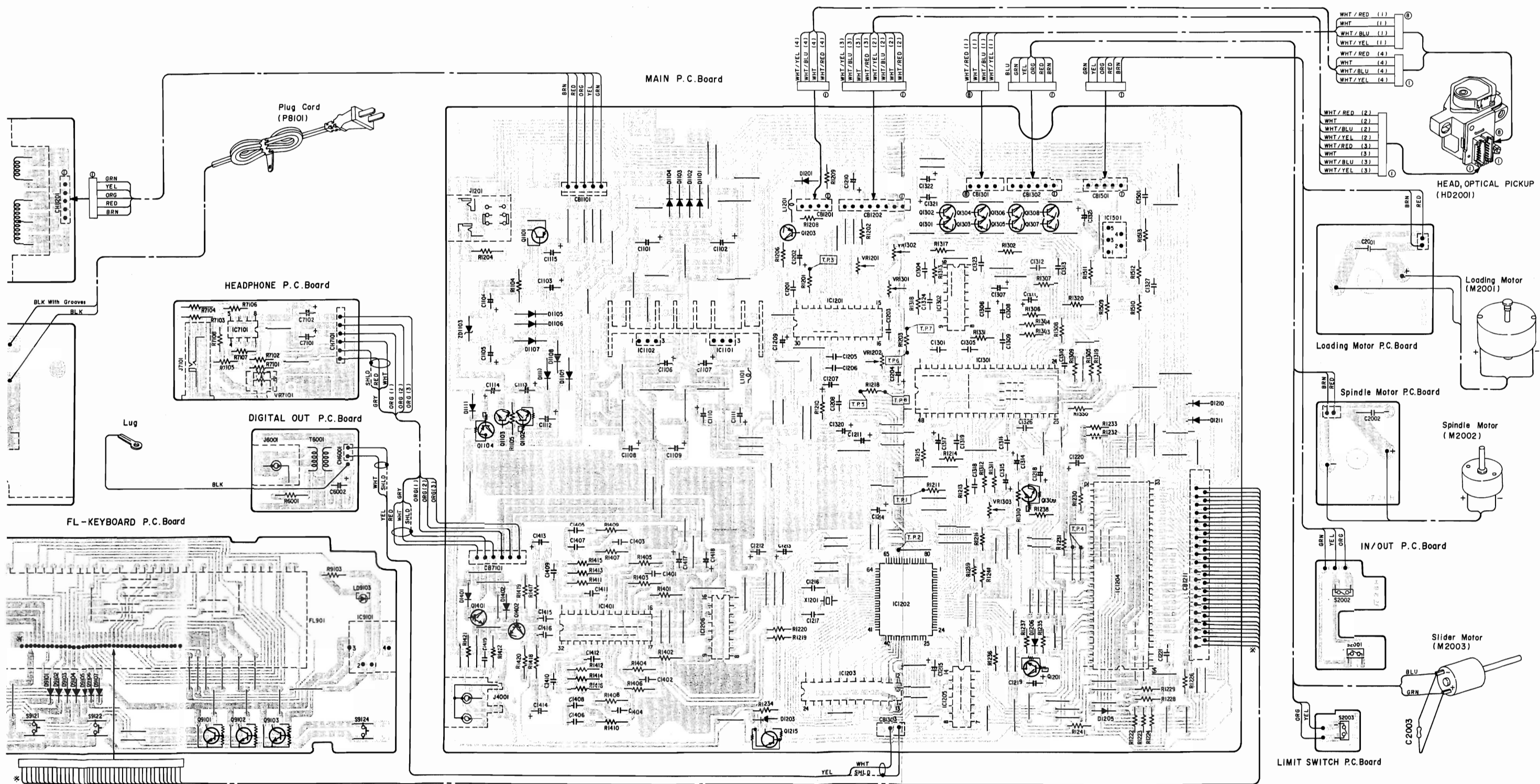


Parts Layout on P.C. Boards and Wiring Diagram (1/2) (UZ, UQ Model only)

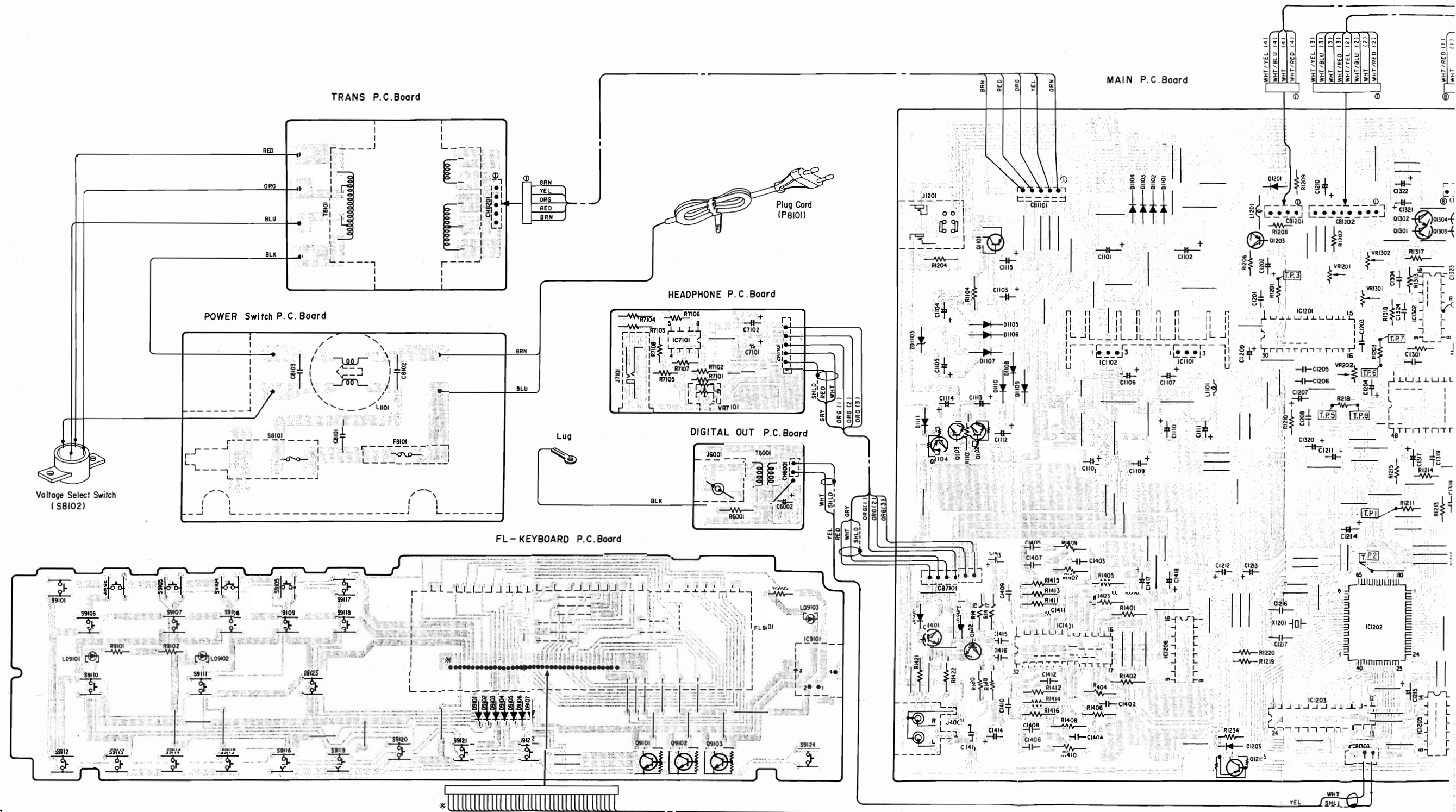


- BLU Blue
- GRN Green
- BLK Black
- GRY Gray
- WHT White
- RED Red
- BRN Brown
- ORG Orange
- YEL Yellow
- VIO Violet
- PNK Pink
- GRN/WHT Green/White
- GRY/WHT Gray/White
- GRY/YEL Gray/Yellow
- GRN/YEL Green/Yellow
- SHLD Shield

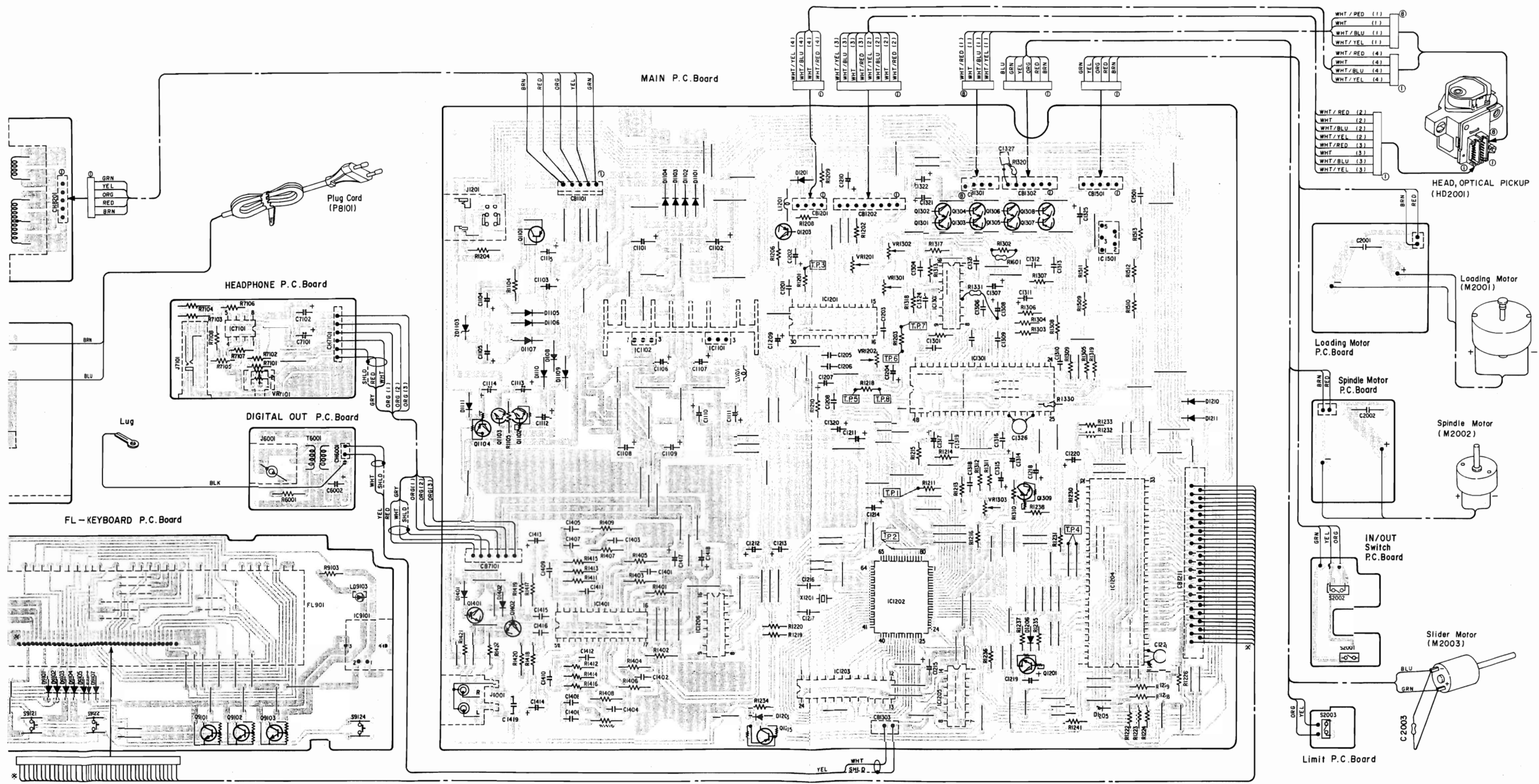
n (1/2) (UZ, UQ Model only)



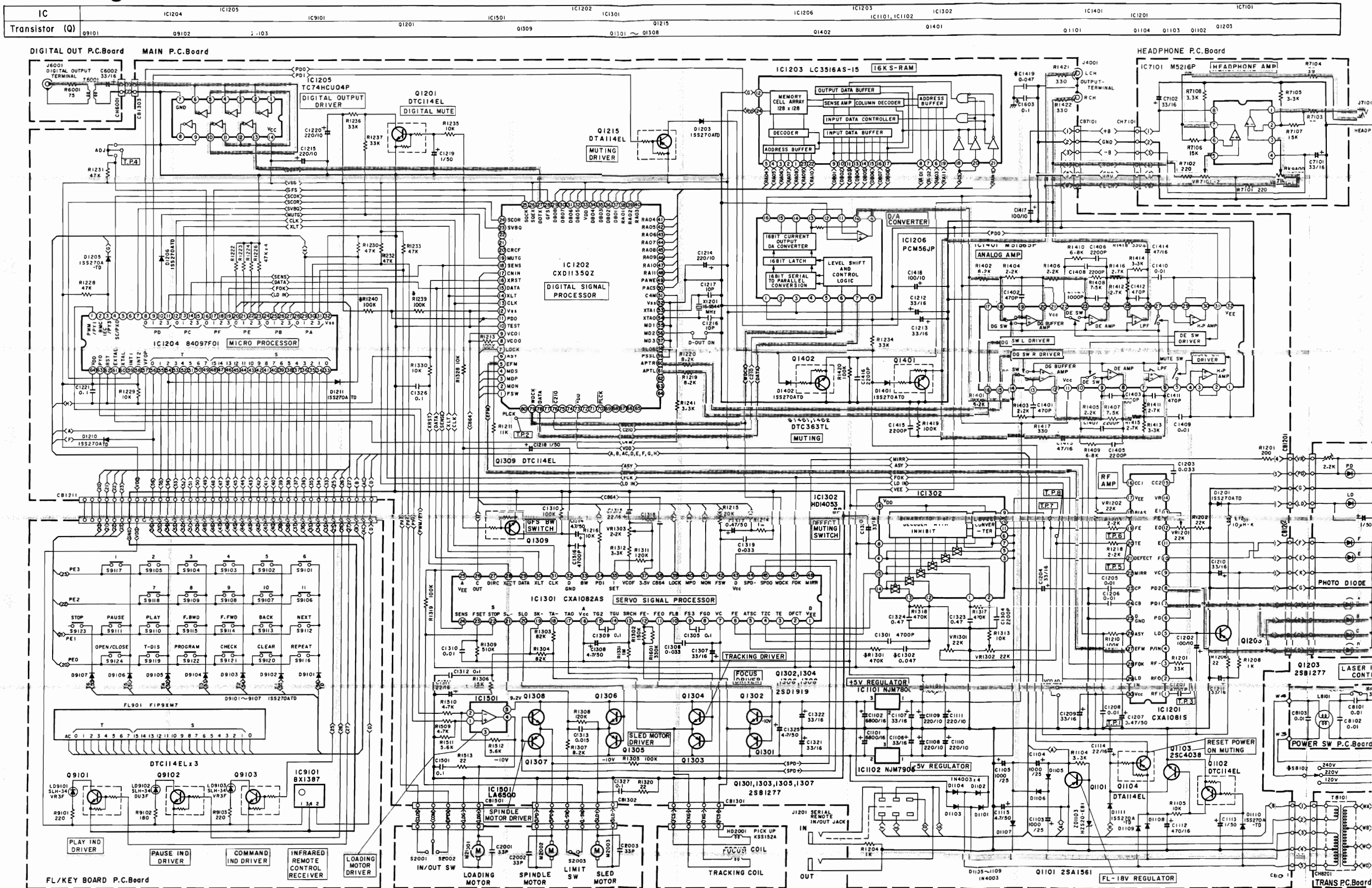
Parts Layout on P.C. Boards and Wiring Diagram (2/2) (AD Model only)

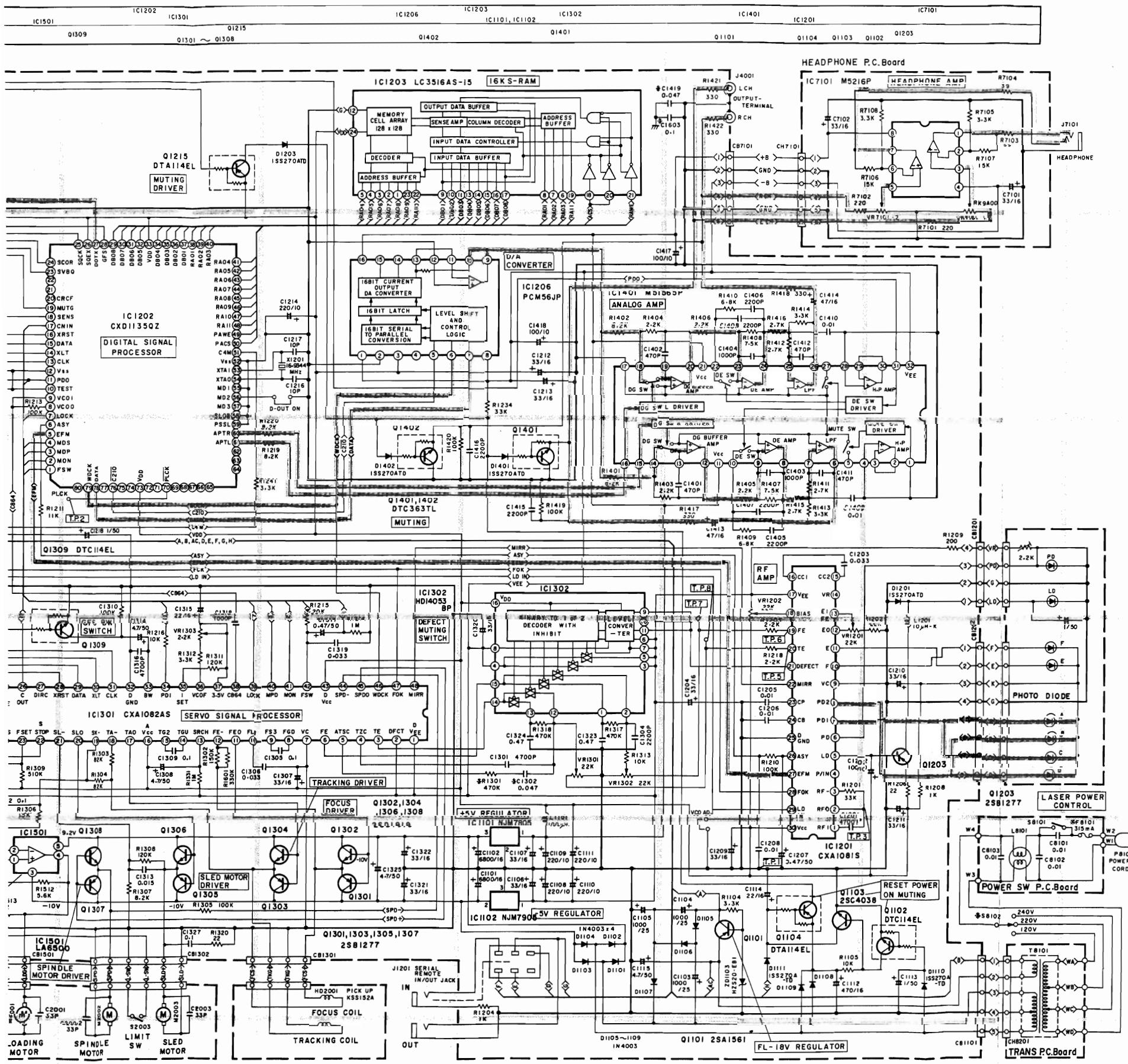


am (2/2) (AD Model only)



Schematic Diagram





IC1201

1	2	3	4	5	6	7	8	9	10	11	12	13	14	15
0V	-1.2V	0V	2.5V	2.7V	-4.8V	0V	0V	0V	0V	0V	-0.5V	-0.3V	-	-2.4V
16	17	18	19	20	21	22	23	24	25	26	27	28	29	30
-2.1V	-4.9V	0V	0.1V	0V	-4.8V	0V	-1.8V	-1.3V	0V	2.4V	2.3V	4.8V	0V	4.9V

IC1202

1	2	3	4	5	6	7	8	9	10	11	12	13	14	15	16	17
0	4.9V	2.4V	2.7V	2.3V	2.4V	4.9V	2.5V	0.1V	0V	0V	4.8V	4.9V	0V	4.9V	0V	0V
18	19	20	21	22	23	24	25	26	27	28	29	30	31	32	33	34
0V	0V	0V	0V	0V	0V	0V	0V	0V	0V	0V	0V	0V	0V	0V	0V	0V
41	42	43	44	45	46	47	48	49	50	51	52	53	54	55	56	57
0V	0V	0V	0V	0V	0V	0V	0V	0V	0V	0V	0V	0V	0V	0V	0V	0V
62	63	64	65	66	67	68	69	70	71	72	73	74	75	76	77	78
0V	0V	0V	0V	0V	0V	0V	0V	0V	0V	0V	0V	0V	0V	0V	0V	0V
79	80															
0V	0V															
0V	0V															

IC1203

1	2	3	4	5	6	7	8	9	10	11	12	13	14	15	16	17	18	19	20	21	22	23	24	
2.4V																								

IC1204

1	2	3	4	5	6	7	8	9	10	11	12	13	14	15	16	17	18	19	20	21	22	23	24
0V	4.9V	0V	0V	0V	0V	0V	0V	0V	0V	0V	0V	0V	0V	0V	0V	0V	0V	0V	0V	0V	0V	0V	0V
25	26	27	28	29	30	31	32	33	34	35	36	37	38	39	40	41	42	43	44	45	46	47	48
0V	4.8V	0.4V	4.9V	0V	4.9V	0V	2.8V	0V	0V	0V	0V	0V	0V	0V	0V	0V	0V	0V	0V	0V	0V	0V	0V
46	47	48	49	50	51	52	53	54	55	56	57	58	59	60	61	62	63	64					
-23.9V	-28.7V	-19V	-25.3V																				

IC1205

1	2	3	4	5	6	7	8	9	10	11	12	13	14
2.4V													

IC1101

1	2	3
4.9V	0V	9V

IC1102

1	2	3
-4.9V	0V	-9V

IC1206

1	2	3	4	5	6	7	8	9	10	11	12	13	14	15	16
-4.9V	0V	4.9V	0V	2.3V	2.4V	0V	-4.9V	0V	0V	0V	0V	0V	0V	0V	4.9V

IC1501

1	2	3	4	5
0V	0V	-10V	0V	9.2V

IC1401

1	2	3	4	5	6	7	8	9	10	11	12	13	14	15	16
0V															
17	18	19	20	21	22	23	24	25	26	27	28	29	30	31	32
0V	0V	4.9V	0V	0V	0V	0V	0V	0V	0V	0V	0V	0V	0V	0V	0V

IC1301

1	2	3	4	5	6	7	8	9	10	11	12	13	14	15	16	17	18	19	20	21	22	23	24
-4.9V	0V	0V	0.1V	0V	1V	0V	0.2V	0V	0V	4.9V	0V	0V	0V	0V	0V	0V	0V	0V	0V	0V	0V	0V	0V
25	26	27	28	29	30	31	32	33	34	35	36	37	38	39	40	41	42	43	44	45	46	47	48
-4.9V	0.1V	4.9V	0V	4.9V	4.8V	0V	2.5V	2.3V	3.6V	2.4V	4.9V	2.4V	4.9V	2.5V	4.9V	0V	0V	0V	0V	0V	0V	0V	0V

IC1302

1	2	3	4	5	6	7	8	9	10	11	12	13	14	15	16
0V	-4.9V	0V	-4.9V	0V	-4.8V	0V	0V	0V	0V	0V	0V	0V	0V	0V	0V

IC9101

1	2	3	4
5V	4.9V	0V	0V

Q1101	Q1102	Q1103	Q1104	Q1201	Q1203	Q1309	Q1402	Q9101	Q9102	Q9103	
B	-18.6V	6.6V	0V	9.5V	2.7V	2.7V	0V	0V	4.8V	0V	0V
C	-29V	0V	-10V	9.2V	-10V	0V	0V	0V	3.5V	3.7V	0V
E	-18V	0V	9.5V	9.7V	0V	3.4V	0V	0V	0V	0V	0V

Q1215	Q1401	Q1301	Q1302	Q1303	Q1304	
B	4.9V	0V	-10V	-10V	0V	0V
C	-4.7V	0V	-10V	9.2V	-10V	9.2V
E	0.2V	0V	0.4V	0.4V	0V	0V

Measuring Conditions:
 1. Power Supply Voltage
 : I20/220/240V 50Hz (AD model only)
 : AC 120V, 60Hz (UZ, UQ model only)
 2. Measuring Meter
 : Multi Voltmeter
 3. Measuring Point Reference
 : Between Ground
 4. Measuring Condition
 : No Signal Input
 : CD in Play Condition

Model	AD model only (■)	UZ model only (●)	UQ model only (▲)
C1302	0.047μF	Not Used	Not Used
C1419	0.047μF	0.1μF	0.1μF
C1603	0.1μF	Not Used	Not Used
S8102	Voltage Select Switch	Not Used	Not Used
R1239	Not Used	100kΩ	100kΩ
R1240	Not Used	100kΩ	100kΩ
R1301	470kΩ	Not Used	Not Used
F8101	T315mA	315mA-250V	315mA-250V

NOTES:
 1. All resistance values are in ohms. K = 1,000
 2. All capacitance values are in microfarads. P = $\frac{1}{1,000,000}$

Electrical Parts List

Resistor : Carbon resistors under 1/4 watts are not mentioned in the parts list, please confirm them by schematic diagram.
 uF = microfarads, pF = picofarads

Abbreviations				Symbol No.	Part No.	Description																																																										
RES. = Resistor	CAP. = Capacitor			<table border="1"> <thead> <tr> <th colspan="4">Main P. C. Board</th> </tr> <tr> <th colspan="4">IC's</th> </tr> <tr> <td>IC1101</td> <td>51T80338F01</td> <td>NJM7805</td> <td></td> </tr> <tr> <td>IC1102</td> <td>51T80339F01</td> <td>NJM7905</td> <td></td> </tr> <tr> <td>IC1201</td> <td>51T84721F01</td> <td>CXA1081S</td> <td></td> </tr> <tr> <td>IC1202</td> <td>51T84719F01</td> <td>CXD1135QZ</td> <td></td> </tr> <tr> <td>IC1203</td> <td>51T84723F01</td> <td>LC3516AS-15</td> <td></td> </tr> <tr> <td>IC1204</td> <td>51T84097F01</td> <td>84097F01</td> <td></td> </tr> <tr> <td>IC1205</td> <td>51T80475F01</td> <td>TC74HCU04P</td> <td></td> </tr> <tr> <td>IC1206</td> <td>51T80318F01</td> <td>PCM56JP</td> <td></td> </tr> <tr> <td>IC1301</td> <td>51T84722F01</td> <td>CXA1082AS</td> <td></td> </tr> <tr> <td>IC1302</td> <td>51T70773F02</td> <td>HD14053BP</td> <td></td> </tr> <tr> <td>IC1401</td> <td>51T84334F01</td> <td>M51565P</td> <td></td> </tr> <tr> <td>IC1501</td> <td>51T91028F01</td> <td>LA6500</td> <td></td> </tr> </thead></table>					Main P. C. Board				IC's				IC1101	51T80338F01	NJM7805		IC1102	51T80339F01	NJM7905		IC1201	51T84721F01	CXA1081S		IC1202	51T84719F01	CXD1135QZ		IC1203	51T84723F01	LC3516AS-15		IC1204	51T84097F01	84097F01		IC1205	51T80475F01	TC74HCU04P		IC1206	51T80318F01	PCM56JP		IC1301	51T84722F01	CXA1082AS		IC1302	51T70773F02	HD14053BP		IC1401	51T84334F01	M51565P		IC1501	51T91028F01	LA6500	
Main P. C. Board																																																																
IC's																																																																
IC1101	51T80338F01	NJM7805																																																														
IC1102	51T80339F01	NJM7905																																																														
IC1201	51T84721F01	CXA1081S																																																														
IC1202	51T84719F01	CXD1135QZ																																																														
IC1203	51T84723F01	LC3516AS-15																																																														
IC1204	51T84097F01	84097F01																																																														
IC1205	51T80475F01	TC74HCU04P																																																														
IC1206	51T80318F01	PCM56JP																																																														
IC1301	51T84722F01	CXA1082AS																																																														
IC1302	51T70773F02	HD14053BP																																																														
IC1401	51T84334F01	M51565P																																																														
IC1501	51T91028F01	LA6500																																																														

C.F. = Carbon Film	ELY. = Electrolytic		
M.F. = Metal Film	CER. = Ceramic		
M.O. = Metal Oxide Film	MYL. = Mylar		
M.P. = Metal Plate	TAN. = Tantalum		
TR. = Transistor	POLY. = Polystyrol		
TRANS. = Transformer	PP. = Polypropylene		
CP. = Chip	PLT. = Polyethylene		
Main P. C. Board			
IC's			
IC1101	51T80338F01	NJM7805	
IC1102	51T80339F01	NJM7905	
IC1201	51T84721F01	CXA1081S	
IC1202	51T84719F01	CXD1135QZ	
IC1203	51T84723F01	LC3516AS-15	
IC1204	51T84097F01	84097F01	
IC1205	51T80475F01	TC74HCU04P	
IC1206	51T80318F01	PCM56JP	
IC1301	51T84722F01	CXA1082AS	
IC1302	51T70773F02	HD14053BP	
IC1401	51T84334F01	M51565P	
IC1501	51T91028F01	LA6500	
Transistors			
Q1101	48T82757F01	2SA1561	
Q1102	48T82763F02	DTC114EL	
Q1103	48T82758F01	2SC4038	
Q1104	48T82762F02	DTA114EL	
Q1201	48T82763F02	DTC114EL	
Q1203	48T82759F01	2SB1277	
Q1215	48T82762F02	DTA114EL	
Q1301	48T82759F01	2SB1277	
Q1302	48T83275F01	2SD1919	
Q1303	48T82759F01	2SB1277	
Q1304	48T83275F01	2SD1919	
Q1305	48T82759F01	2SB1277	
Q1306	48T83275F01	2SD1919	
Q1307	48T82759F01	2SB1277	
Q1308	48T83275F01	2SD1919	
Q1309	48T82763F02	DTC114EL	
Q1401	48T82763F31	DTC363TL	
Q1402	48T82763F31	DTC363TL	

Symbol No.	Part No.	Description		
Diodes				
D1101	48S40477U01	IN4003		
D1102	48S40477U01	IN4003		
D1103	48S40477U01	IN4003		
D1104	48S40477U01	IN4003		
D1105	48S40477U01	IN4003		
D1106	48S40477U01	IN4003		
D1107	48S40477U01	IN4003		
D1108	48S40477U01	IN4003		
D1109	48S40477U01	IN4003		
D1110	48T84758F01	1SS270ATD		
D1111	48T84758F01	1SS270ATD		
D1201	48T84758F01	1SS270ATD		
D1203	48T84758F01	1SS270ATD		
D1205	48T84758F01	1SS270ATD		
D1206	48T84758F01	1SS270ATD		
D1210	48T84758F01	1SS270ATD		
D1211	48T84758F01	1SS270ATD		
D1401	48T84758F01	1SS270ATD		
D1402	48T84758F01	1SS270ATD		
ZD1103	48T68697F60	Zener, HZS20EB1		
Coils				
L1101	24T91064F01	Choke		
L1201	24T50508F22	Inductor, 10 μ H		
Crystal				
X1201	48T84727F01	AT-51 16.9344M		
Jacks				
J1201	09T84124F01	Headphone Mini Plug		
J4001	09T84616F01	T5855 -FA-		
Capacitors				
C1101	23T00160L39	ELY., 6800 μ F/16V		
C1102	23T00160L39	ELY., 6800 μ F/16V		
C1103	23T81002F49	ELY., 1000 μ F/25V		
C1104	23T81002F49	ELY., 1000 μ F/25V		
C1105	23T81002F49	ELY., 1000 μ F/25V		

Symbol No.	Part No.	Description			Symbol No.	Part No.	Description		
C1106	23T00138L19	ELY., 33 μ F/16V			C1319	08T57851F07	TF 0.033 μ F		
C1107	23T00138L19	ELY., 33 μ F/16V			C1320	23T00138L19	ELY., 33 μ F/16V		
C1108	23T00138L13	ELY., 220 μ F/10V			C1321	23T00138L19	ELY., 33 μ F/16V		
C1109	23T00138L13	ELY., 220 μ F/10V			C1322	23T00138L19	ELY., 33 μ F/16V		
C1110	23T00138L13	ELY., 220 μ F/10V			C1323	08T50579F21	TF 0.47 μ F		
C1111	23T00138L13	ELY., 220 μ F/10V			C1324	08T50579F21	TF 0.47 μ F		
C1112	23T81002F34	ELY., 470 μ F/16V			C1325	23T00138L48	ELY., 4.7 μ F/50V		
C1113	23T00138L45	ELY., 1 μ F/50V			● C1326	08T40794F74	CER., 0.1 μ F		
C1114	23T00138L18	ELY., 22 μ F/16V			■ C1326	08T57298F01	CER., 0.1 μ F		
C1115	23T00138L48	ELY., 4.7 μ F/50V			▲ C1326	08T40794F74	CER., 0.1 μ F		
C1201	08T57705F63	MYL., 4700pF			● C1327	08T57851F13	TF 0.1 μ F		
C1202	23T00138L12	ELY., 100 μ F/10V			■ C1327	08T42629F29	MYL., 0.1 μ F		
C1203	08T57851F07	TF 0.033 μ F			▲ C1327	08T57851F13	TF 0.1 μ F		
C1204	23T00138L19	ELY., 33 μ F/16V			C1401	08T57705F51	MYL., 470pF		
C1205	08T57851F01	PF 0.01 μ F			C1402	08T57705F51	MYL., 470pF		
C1206	08T57851F01	PF 0.01 μ F			C1403	08T57705F55	MYL., 1000pF		
C1207	23T00138L44	ELY., 0.47 μ F/50V			C1404	08T57705F55	MYL., 1000pF		
C1208	08T57851F01	PF 0.01 μ F			C1405	08T57705F59	MYL., 2200pF		
C1209	23T00138L19	ELY., 33 μ F/16V			C1406	08T57705F59	MYL., 2200pF		
C121	23T00138L19	ELY., 33 μ F/16V			C1407	08T57705F59	MYL., 2200pF		
C1211	23T00138L19	ELY., 33 μ F/16V			C1408	08T57705F59	MYL., 2200pF		
C1212	23T00138L19	ELY., 33 μ F/16V			C1409	08T57851F01	PF 0.01 μ F		
C1213	23T00138L19	ELY., 33 μ F/16V			C1410	08T57851F01	PF 0.01 μ F		
C1214	23T00138L13	ELY., 220 μ F/10V			C1411	08T57705F51	MYL., 470pF		
C1215	23T00138L13	ELY., 220 μ F/10V			C1412	08T57705F51	MYL., 470pF		
C1216	08T55260F13	CER., 10pF			C1413	23T00138L20	ELY., 47 μ F/16V		
C1217	08T55260F13	CER., 10pF			C1414	23T00138L20	ELY., 47 μ F/16V		
C1218	23T00138L45	ELY., 1 μ F/50V			C1415	08T57705F59	MYL., 2200pF		
C1219	23T00138L45	ELY., 1 μ F/50V			C1416	08T57705F59	MYL., 2200pF		
C1220	23T00138L13	ELY., 220 μ F/10V			C1417	23T00138L12	ELY., 100 μ F/10V		
● C1221	08T40794F74	CER., 0.1 μ F			C1418	23T00138L12	ELY., 100 μ F/10V		
■ C1221	08T57298F01	CER., 0.1 μ F			● C1419	08T40794F74	CER., 0.1 μ F		
▲ C1221	08T40794F74	CER., 0.1 μ F			■ C1419	08T40794F70	CER., 0.047 μ F		
C1301	08T57705F63	MYL., 4700pF			▲ C1419	08T40794F74	CER., 0.1 μ F		
■ C1302	08T57851F09	TF 0.047 μ F			C1501	08T57851F13	TF 0.1 μ F		
C1304	08T57705F59	MYL., 2200pF			■ C1603	08T57298F01	CER., 0.1 μ F		
C1305	08T57851F13	TF 0.1 μ F			Resistors				
C1306	08T57851F07	TF 0.033 μ F			VR1201	18C41732G08	Variable, 22K ohm B		
C1307	23T00138L19	ELY., 33 μ F/16V			VR1202	18C41732G08	Variable, 22K ohm B		
C1308	23T00138L48	ELY., 4.7 μ F/50V			VR1301	18C41732G08	Variable, 22K ohm B		
C1309	08T57851F13	TF 0.1 μ F			VR1302	18C41732G08	Variable, 22K ohm B		
C1310	08T57851F01	PF 0.01 μ F			VR1303	18B44064J08	Variable, 2.2K ohm B 1/2W		
C1311	23T00138L18	ELY., 22 μ F/16V							
C1312	08T57851F13	TF 0.1 μ F							
C1313	08T57851F03	PF 0.015 μ F							
C1314	23T00138L48	ELY., 4.7 μ F/50V							
C1315	23T00138L18	ELY., 22 μ F/16V							
C1316	08T57705F63	MYL., 4700pF							
C1317	23T00138L44	ELY., 0.47 μ F/50V							
C1318	08T57705F55	MYL., 1000pF							

Notes : ● : For North American model only (UZ), ■ : For West Germany model only (AD),
▲ : For Canadian model only (UQ), Others : Common.

Symbol No.	Part No.	Description			
Head Phone P. C. Board					
IC/Jack					
IC7101 J7101	51T81896F01 09T74077F01	M5216P Jack, Phones			
Capacitors					
C7101 C7102	23T00138L19 23T00138L19	ELY., 33 μ F/16V ELY., 33 μ F/16V			
Power Switch P. C. Board					
Coil/Switch					
L8101 S8101	24T82315F01 40T84122F01	160mH Switch, Power Sddle			
Capacitors					
C8101 C8102 C8103	08T57437F09 08T57437F09 08T57437F09	CER., 0.01 μ F CER., 0.01 μ F CER., 0.01 μ F			
FL/Keyboard P. C. Board					
IC					
IC9101	51T84120F01	BX1387			
Transistors					
Q9101 Q9102 Q9103	48T82763F02 48T82763F02 48T82763F02	DTC114EL DTC114EL DTC114EL			
Diodes					
D9101 D9102 D9103 D9104 D9105	48T84758F01 48T84758F01 48T84758F01 48T84758F01 48T84758F01	1SS270ATD 1SS270ATD 1SS270ATD 1SS270ATD 1SS270ATD			
Digital Out P. C. Board					
Trans/Capacitor					
T6001 C6002	25T90530F01 23T00138L19	Trans Puls CAP., ELY., 33 μ F/16V			
Symbol No.	Part No.	Description			
D9106 D9107 LD9101	48T84758F01 48T84758F01 48T60947F05	1SS270ATD 1SS270ATD LED, SLH-34VR3F (RED)			
LD9102 LD9103	48T60947F07 48T60947F05	LED, SLH-34DU3F (ORG) LED, SLH-34VR3F (RED)			
Switches					
S9101 S9102 S9103 S9104 S9105	40T83324F01 40T83324F01 40T83324F01 40T83324F01 40T83324F01	Tact, SKHHAP (6) Tact, SKHHAP (5) Tact, SKHHAP (4) Tact, SKHHAP (3) Tact, SKHHAP (2)			
S9106 S9107 S9108 S9109 S9110	40T83324F01 40T83324F01 40T83324F01 40T83324F01 40T83324F01	Tact, SKHHAP (+10) Tact, SKHHAP (10) Tact, SKHHAP (9) Tact, SKHHAP (8) Tact, SKHHAP (PLAY)			
S9111 S9112 S9113 S9114	40T83324F01 40T83324F01 40T83324F01 40T83324F01	Tact, SKHHAP (PAUSE) Tact, SKHHAP (NEXT) Tact, SKHHAP (BACK) Tact, SKHHAP (F.FWD)			
S9115 S9116	40T83324F01 40T83324F01	Tact, SKHHAP (F.BWD) Tact, SKHHAP (REPEAT)			
S9117 S9118 S9119	40T83324F01 40T83324F01 40T83324F01	Tact, SKHHAP (1) Tact, SKHHAP (7) Tact, SKHHAP (T-DISPLAY)			
S9120 S9121 S9122	40T83324F01 40T83324F01 40T83324F01	Tact, SKHHAP (CLEAR) Tact, SKHHAP (CHECK) Tact, SKHHAP (PROGRAM)			
S9123 S9124	40T83324F01 40T83324F01	Tact, SKHHAP (STOP) Tact, SKHHAP (OPEN/CLOSE)			

Notes : ● : For North American model only (UZ), ■ : For West Germany model only (AD),
▲ : For Canadian model only (UQ), Others : Common.

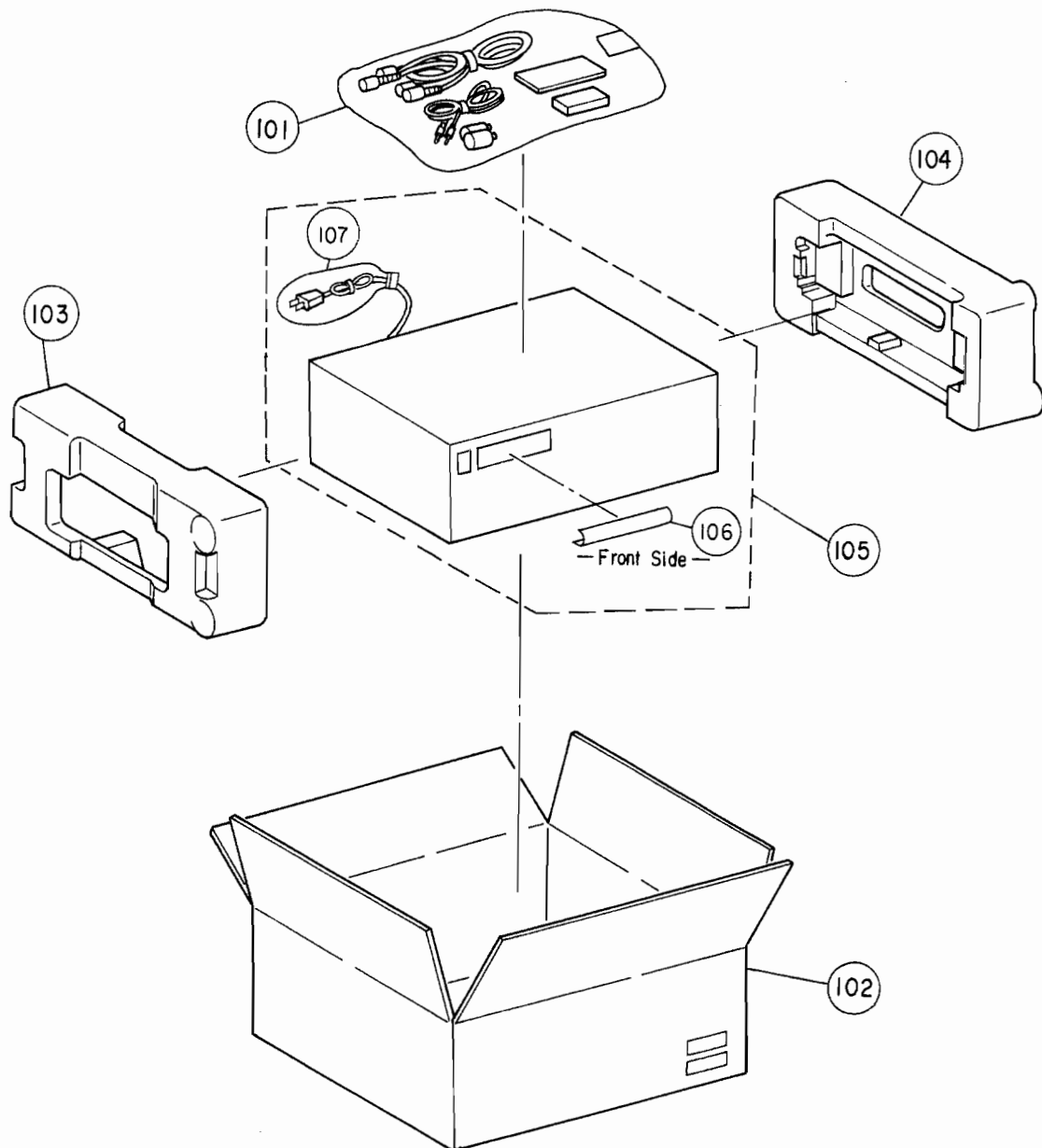
Symbol No.	Part No.	Description			Symbol No.	Part No.	Description		
Miscellaneous									
	C2001	08S40154T43	CAP., CER., 330pF						
	C2002	08S40154T43	CAP., CER., 330pF						
	C2003	08S40154T43	CAP., CER., 330pF						
●	F8101	65T66926F09	Fuse, 51NM (315mA - 250V)						
■	F8101	65T42077U11	Fuse, Semko, T315mA						
▲	F8101	65T66926F09	Fuse, 51NM (315mA - 250V)						
	FL9101	65T83067F01	FL, Display						
	HD2001	88T81528F01	Head, Optical Pickup						
	J6001	09T84775F02	Jack, Plate Phono						
	M2001	01V81800F56	Assy., Motor Loading						
	M2002	59T81431F01	Motor, Spindle						
	M2003	59T81432F01	Motor, Slider						
●	P8101	28T70972F01	Plug, Cord						
■	P8101	28T43812P04	Plug, Cord						
▲	P8101	28T70972F01	Plug, Cord						
	S2001	40T71025F01	Switch, Detector (IN/OUT)						
	S2002	40T71025F01	Switch, Detector (IN/OUT)						
	S2003	40T71025F01	Switch, Detector (LIMIT)						
■	S8102	40T80258F02	Switch, Voltage Select						
●	T8101	25T90679F01	Trans. Power						
■	T8101	25T90678F01	Trans. Power						
▲	T8101	25T93282F01	Trans. Power						
	VR7101	18T84123F01	Volume, Variable, RK9A00						

Notes : ● : For North American model only (UZ), ■ : For West Germany model only (AD),
▲ : For Canadian model only (UQ), Others : Common.

Packing Method View

Symbol No.	Part No.	Description			Symbol No.	Part No.	Description		
101-1	68P81707F78	Owners, Manual			102	56S83833F02	Carton, Packing		
101-2	28T70621F03	Plug, Output			103	56D90648F01	Tray, Packing		
101-3	01T82091F01	Assy., Mini Plug Cord			104	56D90649F01	Tray, Packing		
101-4	01T90545F01	Unit, Remocon RD113			105	56B40230G23	Sack, Polyethylene		
101-5	60T51756F01	Battery, UM-4MC			106	56B40442T19	Front Frame Packing		
					107	56B40230G08	Sack, Polyethylene		

Packing Method View



Cabinet Assembly Parts List

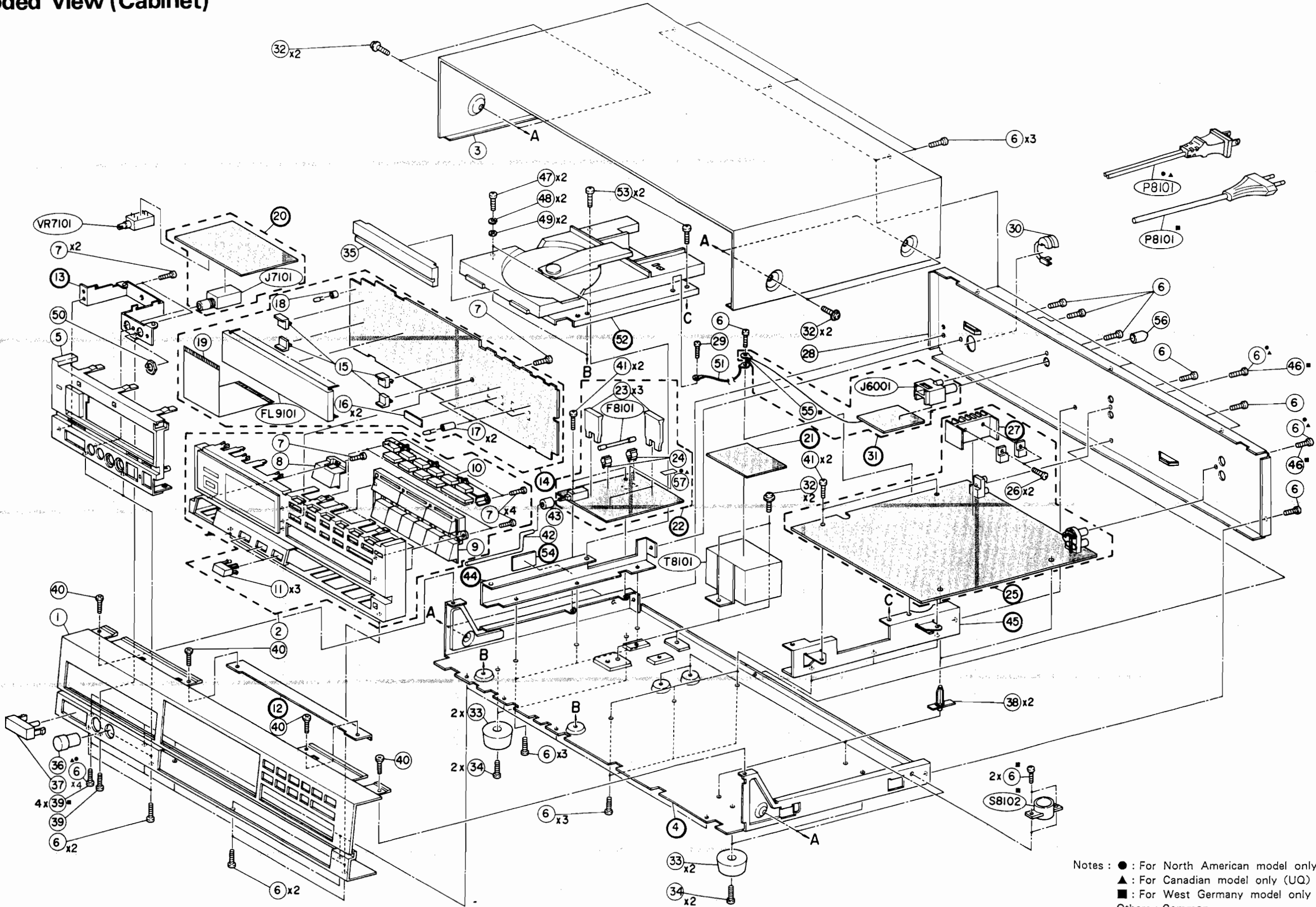
NOTE: The parts without part numbers are not supplied.

Symbol No.	Index	Part No.	Description	Symbol No.	Index	Part No.	Description
1	4-A	64D83886F01	Panel, Front	49	2-D	04S40070G59	Washer, Flat (M4.1)
2	4-B	07C91018F01	Assy., Front Frame	50	2-A	02S40000G39	Nut, Hex (M7)
3	1-D	15C83872F01	Cover, Top	51	3-E	01T84733F11	Assy., Lug Wire
5	5-E	07D83863F02	Frame, Front	53	2-D	03S40018G06	Screw, Tapping (M3x16)
6		03S71031F04	Screw, Bind (M3x8)	■ 55	3-F	01T92973F01	Assy., Lug Wire 1P
7		03S71031F02	Screw, Bind (M2.6x8)	56	2-H	16T82537F01	Cap., Pin Jack
8	3-B	36B83866F01	Knob, Eject	● 57	3-E	54B62266F55	Label, Fuse (315mA-250V)
9	4-D	36B83865F01	Knob, Logic	▲ 57	3-E	54B62266F55	Label, Fuse (315mA-250V)
10	3-D	36B83864F01	Knob, Ten Key				
11	4-B	36A83868F01	Knob, Tact (L)				
15	3-C	07A83876F01	Support, FL				
16	3-C	14S81481F57	Insulator, Cover				
17	3-D	43A53357F04	Spacer, LED				
18	2-B	43A53357F01	Spacer, LED A				
19	3-B	30T90290F01	Wire, Parallel 39P				
23	3-D	43T53136F01	Bushing, Cap				
24	3-E	09T51410F01	Holder, Fuse				
● 26	3-G	03C40121T05	Screw, W/Double Washer (M3x8)				
■ 26	3-G	03S52360F18	Screw, Bind (M3x8)				
▲ 26	3-G	03C40121T05	Screw, W/Double Washer (M3x8)				
● 28	3-F	15C83873F03	Cover, Rear				
■ 28	3-F	15C83873F01	Cover, Rear				
▲ 28	3-F	15C83873F11	Cover, Rear				
29	3-E	03S44205G30	Cover, Pan (M2.6x4)				
30	2-G	43B41625J02	Support, Cord				
32		03S40036U01	Screw, W/Washer (M4x8)				
33		75A52969F01	Pad, Tran-Leg				
34		03S44205G20	Screw, Pan (M4x12)				
35	2-C	64B83869F01	Panel, Tray				
36	5-A	36A55234F04	Knob, Control				
37	5-A	36A83870F01	Knob, Power				
38	5-G	07A91046F01	Support, PCB				
39		03S82672F18	Screw, Bind (M3x6)				
40		03S40012G98	Screw, Tapping (M3x8)				
41		03S40018G08	Screw, Tapping (M3x8)				
42	4-D	47A83883F01	Shaft, Power				
43	4-D	43A83885F01	Spacer, Rubber				
■ 46		03S40012G48	Screw, Tapping (M3x6)				
47	2-D	03A83946F01	Screw, Special (M3x35)				
48	2-D	04S40071G14	Washer, Spring Lock (M4.1)				

Notes : ● : For North American model only (UZ),
 ▲ : For Canadian model only (UQ),

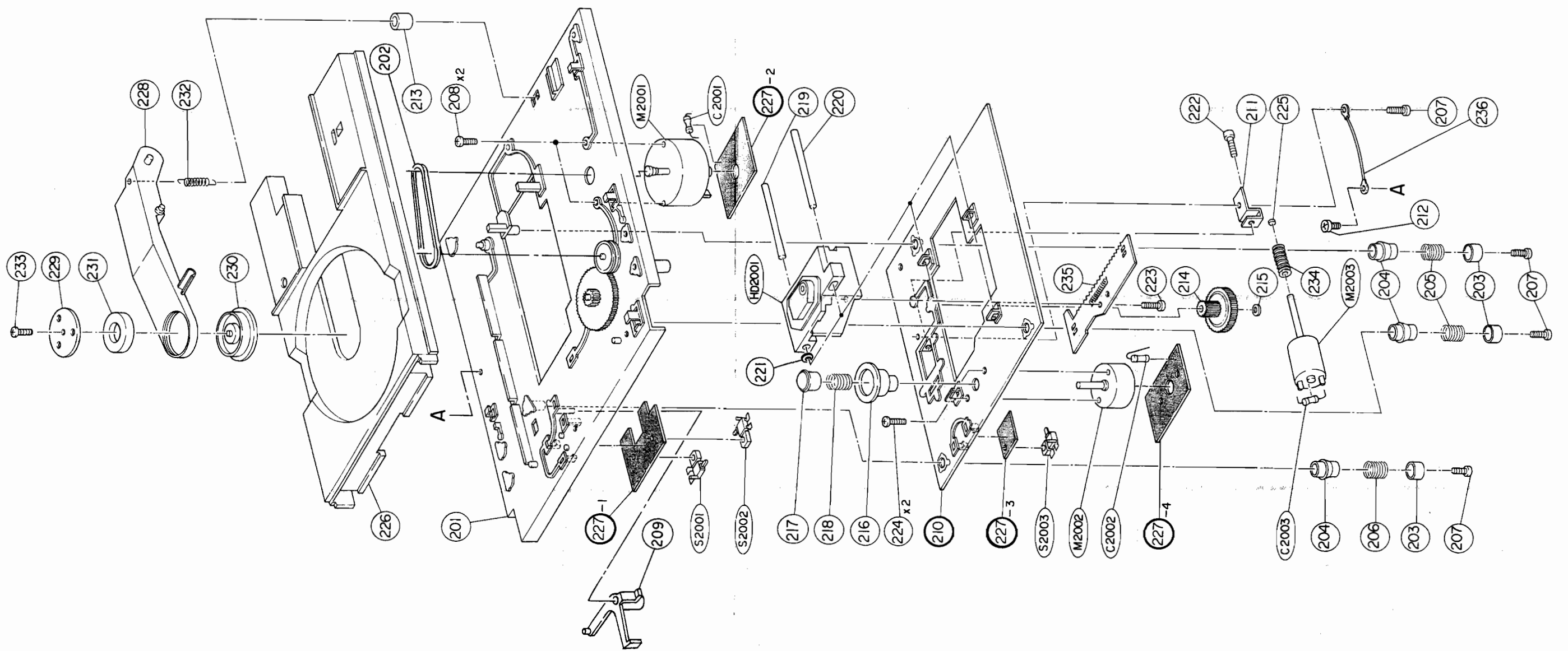
■ : For West Germany model only (AD),
 Others : Common.

Exploded View (Cabinet)



Notes : ● : For North American model only (UZ)
 ▲ : For Canadian model only (UQ)
 ■ : For West Germany model only (AD)
 Others : Common

Exploded View (CD Mechanism)



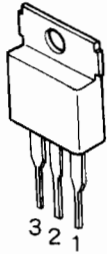
CD Mechanism Assembly Parts List

Symbol No.	Index	Part No.	Description			Symbol No.	Index	Part No.	Description		
201	5-C	01B82391F01	Assy., Main Chassis								
202	2-D	42A81427F01	Belt, Drive								
203		43A81407F01	Bushing, Damper								
204		75A81411F01	Rubber, Damper								
205	3-H	41A81428F03	Spring, Compression								
206	5-H	41A81428F05	Spring, Compression								
207		03S40012G18	Screw, Tapping (M2.6×6)								
208	2-C	03D40014G19	Screw, W/Washer (M2.6×5)								
209		45A81434F01	Arm, Switch								
211	3-G	07A82322F01	Bracket, Washer								
212	3-I	03S44205G30	Screw, Pan (M2.6×4)								
213	2-C	37S40133J16	Tube UL (20mm)								
214	3-G	44A81401F01	Gear, Worm Wheel								
215	3-G	04A41345P02	Washer, Lock (M1.7)								
216	5-E	49B81414F01	Table, Disc								
217	5-E	49B81417F01	Disc, Guide								
218	5-E	41A81428F01	Spring, Compression								
219	2-E	47A81426F01	Shaft, Head								
220	2-E	47A81426F02	Shaft, Head								
221		04S40075G12	Washer, Polyslider (M3.1)								
222	3-G	03D40014G61	Screw, W/Washer (M2×5)								
223	3-G	03S70494F01	Screw, Bind (M2×5)								
224	5-E	03D40014G07	Screw, W/Washer (M2×4)								
225	3-G	43A41182P02	Ball Steel								
226	5-C	01C81529F01	Assy., Tray Disc								
228	2-A	45C81418F01	Arm, Clamp								
229	3-A	07A81413F01	Bracket, Magnet								
230	3-B	49A81403F01	Wheel, Clamp								
231	3-A	59T81430F01	Magnet								
232	2-B	41B81429F02	Spring, Extension								
233	3-A	03S68555F17	Screw, Bind (M2×4)								
234	3-G	44A81424F01	Worm, Drive								
235	3-F	01A82323F01	Assy., Rack								
236	3-H	01T92483F01	Assy., Lug Wire 1P								

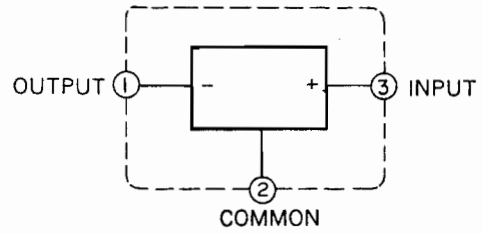
NOTE: The parts without part numbers are not supplied.

Semi-Conductor Lead Identifications

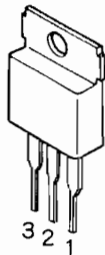
NJM7805 : IC1101



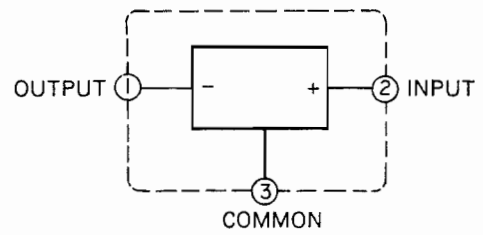
- 1 : OUTPUT
- 2 : COMMON
- 3 : INPUT



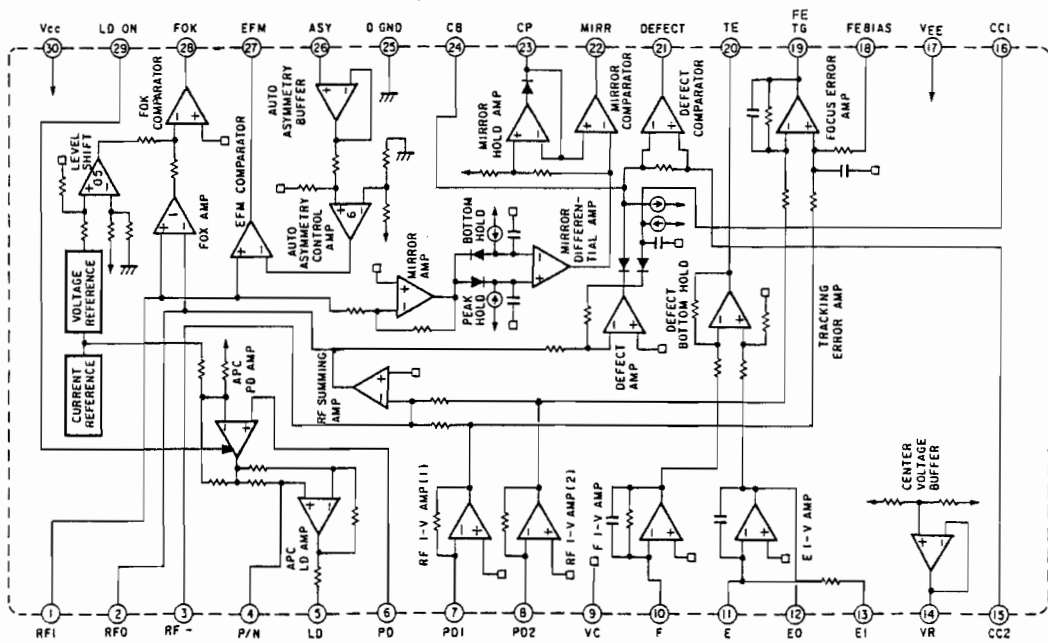
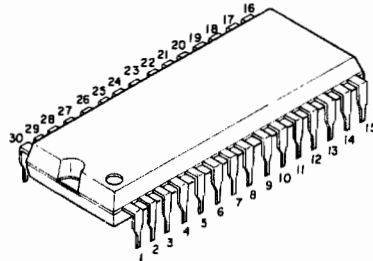
NJM7905 : IC1102



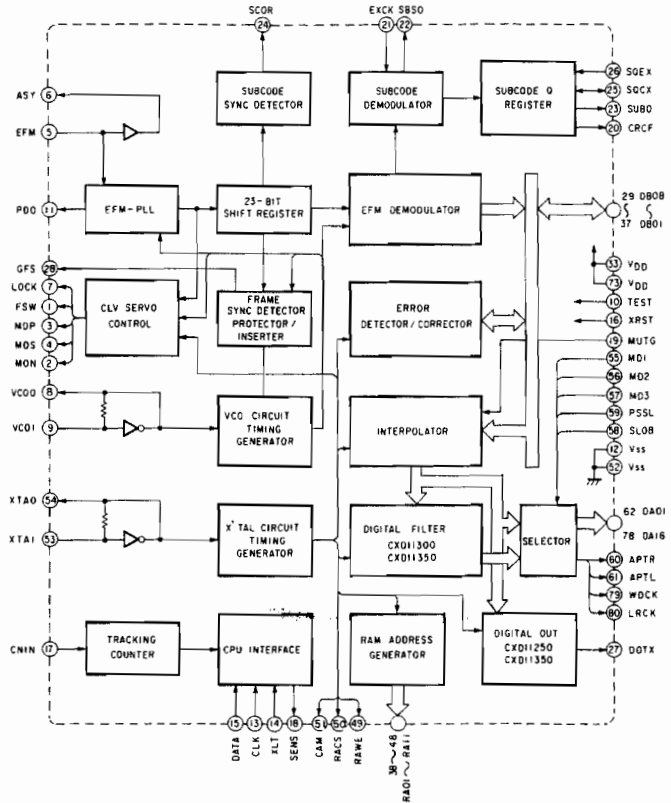
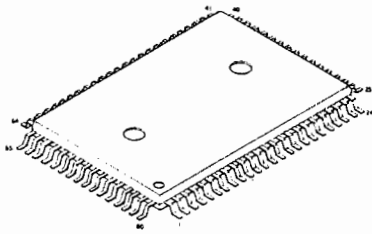
- 1 : OUTPUT
- 2 : INPUT
- 3 : COMMON



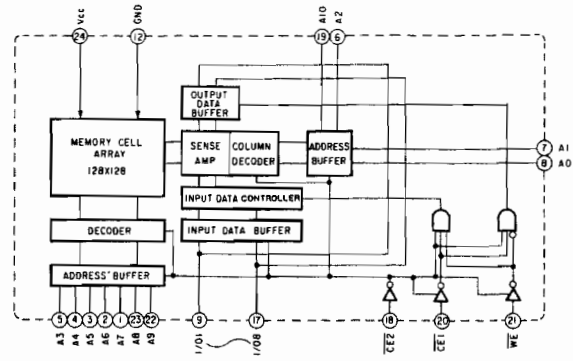
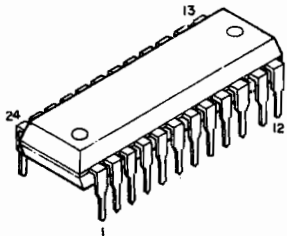
CXA1081S : IC1201



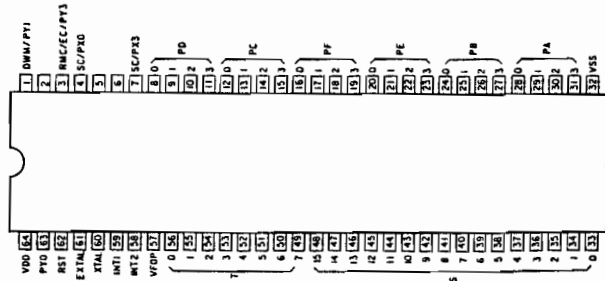
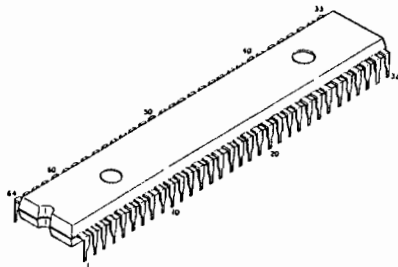
CXD1135QZ : IC1202



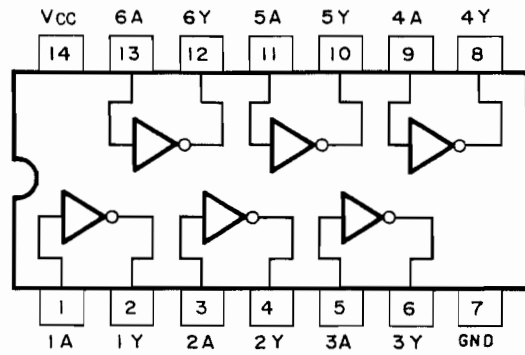
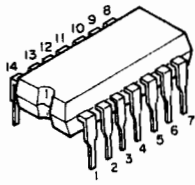
LC3516AS-15 : IC1203



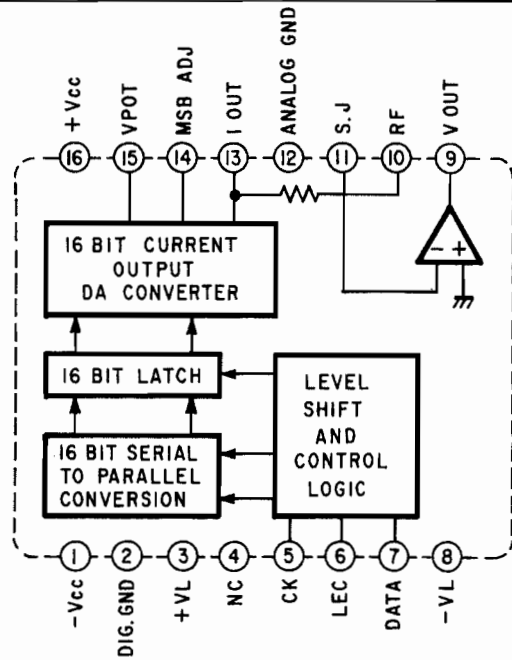
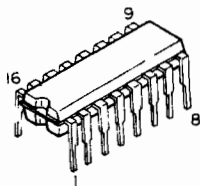
84097F01 : IC1204



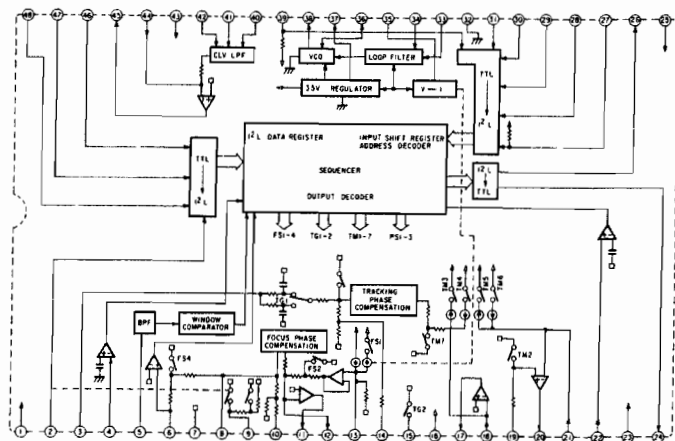
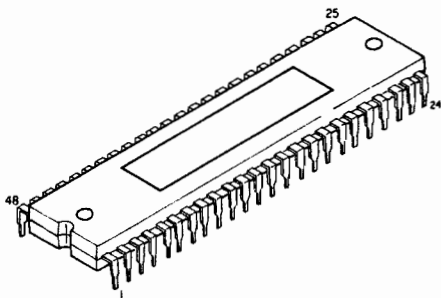
TC74HCU04P : IC1205



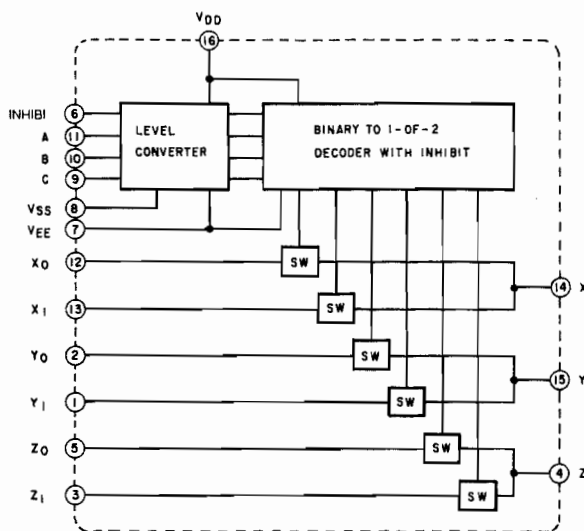
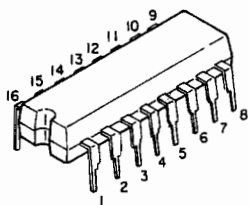
PCM56JP : IC1206



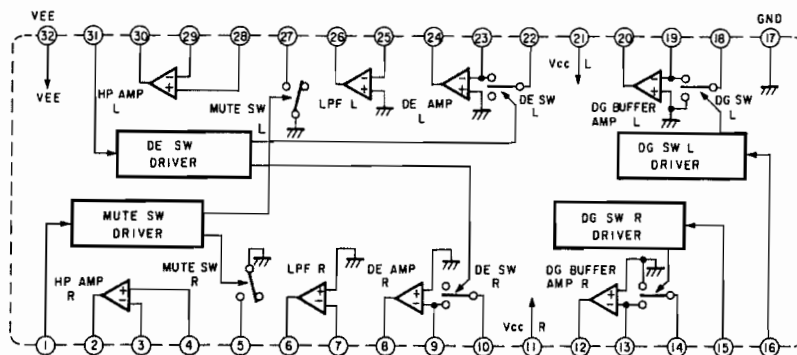
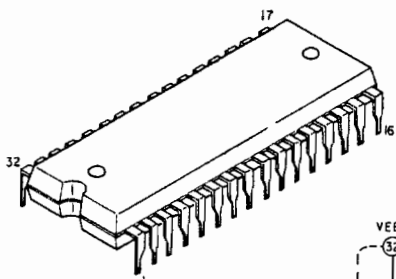
CXA1082AS : IC1301



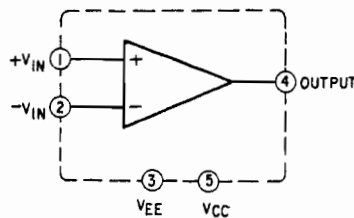
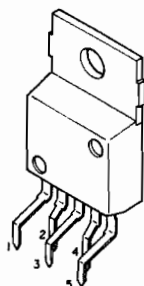
HD14053BP : IC1302



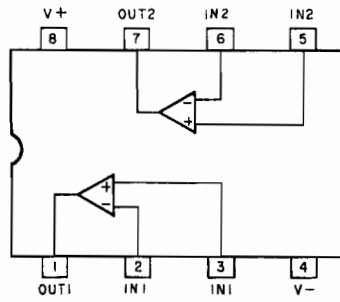
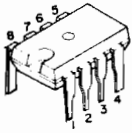
M51565P : IC1401



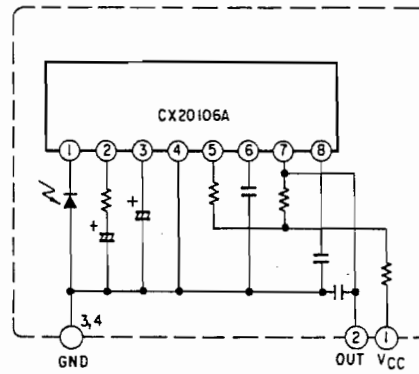
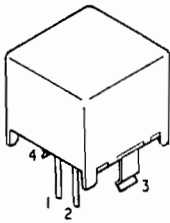
LA6500 : IC1501



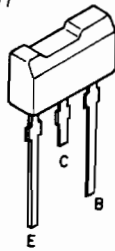
M5216P : IC7101



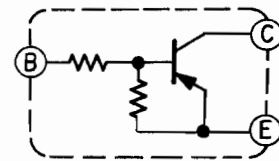
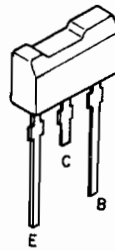
BX1387 : IC9101



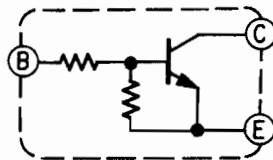
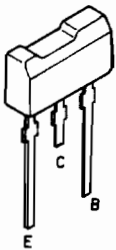
- 2SA1561 : Q1101
- 2SC4038 : Q1103
- 2SB1277 : Q1203, 1301, 1303, 1305, 1307
- 2SD1919 : Q1302, 1304, 1306, 1308



DTA114EL : Q1104, 1215



- DTC114EL : Q1102, 1201, 1309
- : Q9101, 9102, 9103



DTC363TL : Q1401, 1402

